

刀口尺909.....	70	Straight Edges 909.....	70
宽座角尺910.....	71	Wide-Base Angle Squares 910.....	71
量块夹子911.....	72	Gauge Block Clips 911.....	72
步距规912.....	73	Check Master 912.....	73

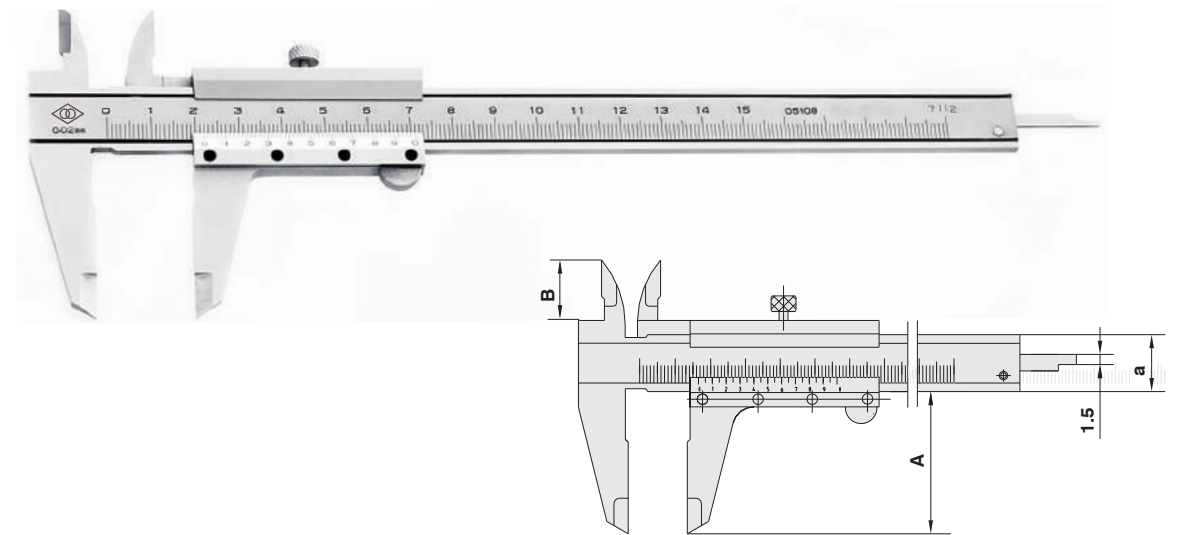
量规 GAUGES

螺纹测量用三针921.....	75	Three Wires For Thread Checking 921.....	75
针规922.....	76	Pin Gauges 922.....	76
普通螺纹量规923 924	78	Common Thread Gauges 923 924.....	78
美标统一螺纹量规925 926.....	80	Ansi Standard Thread Gauges 925 926.....	80
莫氏圆锥量规927 928 929 930.....	82	Morse Taper Gauges 927 928 929 930.....	82
带扁尾莫氏圆锥工作环规B型929.....	83	Morse Taper Working Ring Gauges With Flattail,type B 929.....	83
带扁尾莫氏圆锥工作环规B型930.....	83	Morse Taper Working Plug Gauges With Flattail,type B 930.....	83
光滑极限塞规933.....	84	Plain Limit Plug Gauges Type 933.....	84
对表环规934	86	Plain Ring Gauges 934.....	86
抽油泵螺纹量规935 936	87	Thread Gauges for Oil Sucking Pumps 935 936.....	87
55°非密封管螺纹量规 937 938.....	88	Non-sealing pipe threads with 55 degree thread angle 937 938.....	88
梯形螺纹量规939 940	89	Trapezoidal Thread Gauges 939 940.....	89
抽油杆量规941 942.....	91	Sucker Rod Gauge 941 942.....	91
60°锥管螺纹量规943 944.....	92	60°Taper pipe thread gauges 943 944.....	92
用螺纹密封的管螺纹量规945 946.....	93	Gauges for pipe threads where pressure-tight joints are made on the threads 945 946.....	93
组合式表面粗糙度比较样块950	94	Multi-pattern Surface Roughness Comparison Specimens 950.....	94
单组合式表面粗糙度比较样块951	95	Single-pattern Surface Roughness Comparison Specimens 951	95

卡尺 CALIPERS

游标卡尺601 Vernier Calipers 601

- 采用优质碳钢或不锈钢制造
- 可测量内、外尺寸、深度及台阶等
- 主尺、尺框刻线面无光镀铬
- 主尺、尺框整体热处理，测量面淬硬
- 符合GB标准
- Made of high quality carbon steel or stainless steel.
- They are used to measure outside, inside dimensions, depth and step.
- The main scale and the vernier are satin chromed.
- The beam and the vernier are entirely heat-treated, and all the measuring faces are specially hardened.
- Meet GB standards.



mm

编号 Item No.	测量范围 Measuring range	分度值 Graduation	示值误差 Indication Error	a	A	B	备注 Remarks
601-01(S)	0-150	0.02	± 0.03	16	40	17	碳钢(不锈钢) II型
601-06(S)	0-125						
601-02(S)	0-200	0.02	± 0.03	17	60	38	碳钢(不锈钢) II型
601-03(S)	0-300	0.02	± 0.04	17	60	38	碳钢(不锈钢) II型

订货说明：按产品对应的编号订货
Order Description: order according to the number of products